

# TWIN MULTI

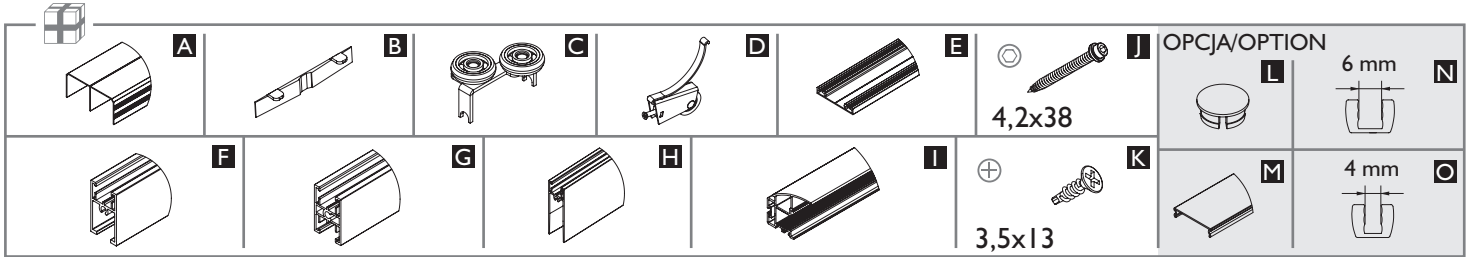
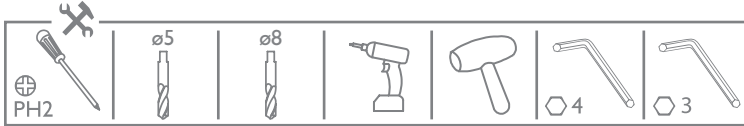
na torze RAMA  
lower track RAMA



40  
kg

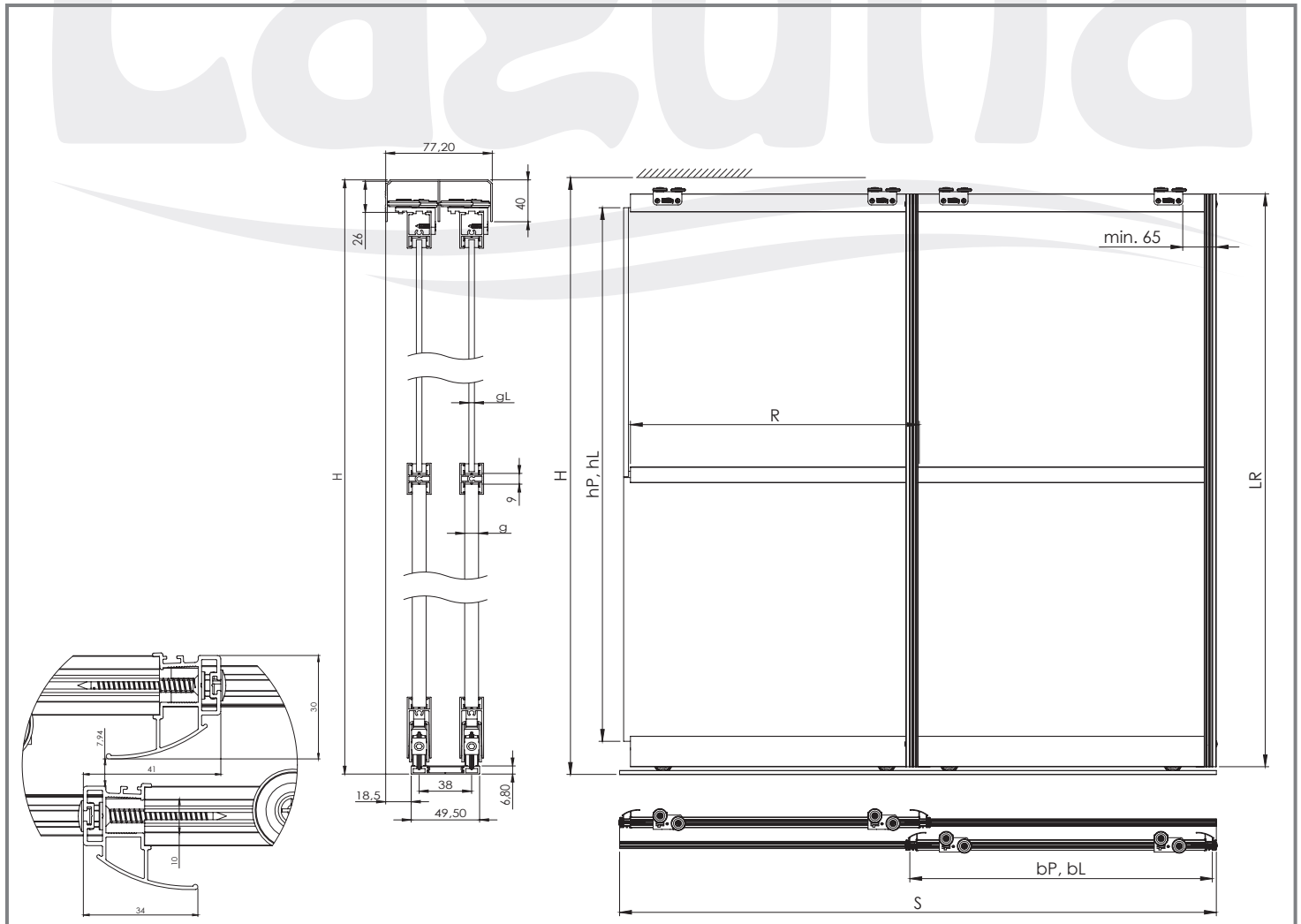
Rama

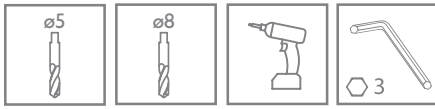
PLYTA | BOARD 10 mm

LUSTRO / MIRROR 4, 6 mm



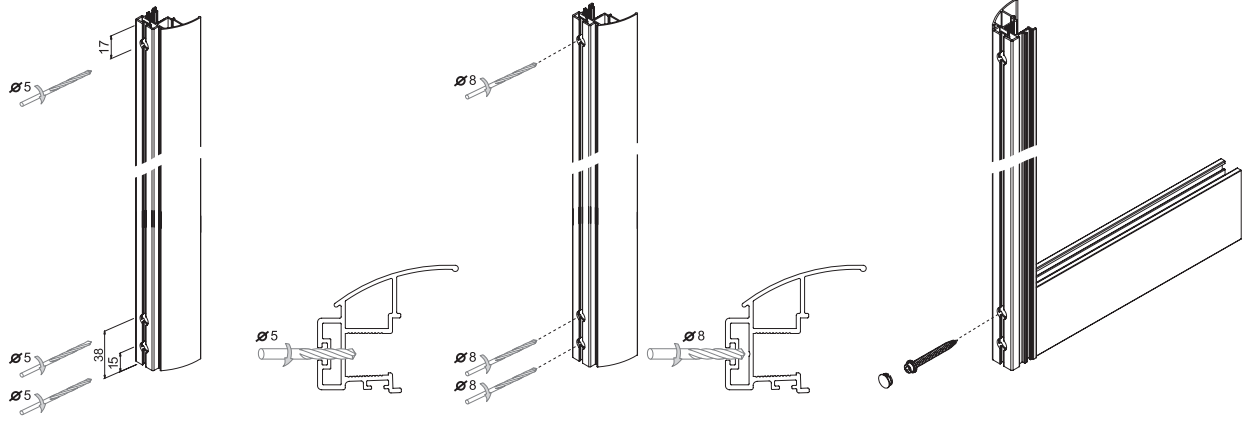
|  |  | Liczba skrzydeł n / Quantity of doors n |                 |                 |                 |                  |                  |                  |  |
|--|--|---|-----------------|-----------------|-----------------|------------------|------------------|------------------|--|
|  |  | n = 2                                   | n = 3           | n = 4           | n = 5           | n = 6            | n = 7            | n = 8            |  |
| 8, 10 mm<br><br>PLYTA   BOARD  | Wysokość płyty hP [mm] / Board height hP [mm]  | hP = H-104                              |                 |                 |                 |                  |                  |                  |  |
|  | Szerokość płyty bP [mm] / Board width bP [mm]  | $bP = (S+10)/2$                         | $bP = (S+35)/3$ | $bP = (S+61)/4$ | $bP = (S+86)/5$ | $bP = (S+112)/6$ | $bP = (S+137)/7$ | $bP = (S+163)/8$ |  |
|  | Długość ramiaka dolnego, górnego oraz łącznika R [mm]<br>Upper, lower rail and connector length R [mm] | R = bP-23                               |                 |                 |                 |                  |                  |                  |  |
|  | Długość rączki LR [mm] / Handle length LR [mm]   | LR = H-40                               |                 |                 |                 |                  |                  |                  |  |
| 4, 6 mm<br><br>LUSTRO / MIRROR | Wysokość lustra/szklą hL [mm] / Mirror height hL [mm]  | hL = H-107                              |                 |                 |                 |                  |                  |                  |  |
|  | Szerokość lustra/szklą bL [mm] / Mirror width bL [mm]  | $bL = (S+4)/2$                          | $bL = (S+26)/3$ | $bL = (S+49)/4$ | $bL = (S+71)/5$ | $bL = (S+94)/6$  | $bL = (S+116)/7$ | $bL = (S+139)/8$ |  |
|  | Długość ramiaka dolnego, górnego oraz łącznika R [mm]<br>Upper, lower rail and connector length R [mm] | R = bL-20                               |                 |                 |                 |                  |                  |                  |  |
|  | Długość rączki LR [mm] / Handle length LR [mm]   | LR = H-40                               |                 |                 |                 |                  |                  |                  |  |





I, H, J, L

1

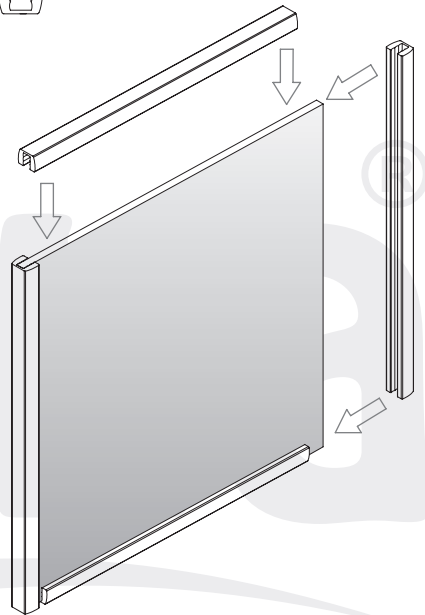
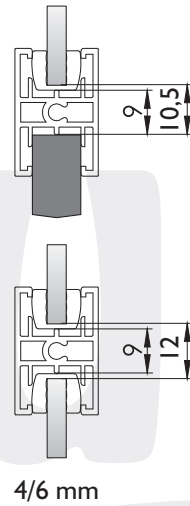
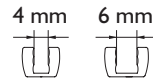
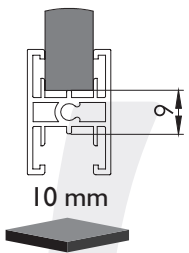


G, I

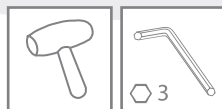
2.1

G, N, O

2.2

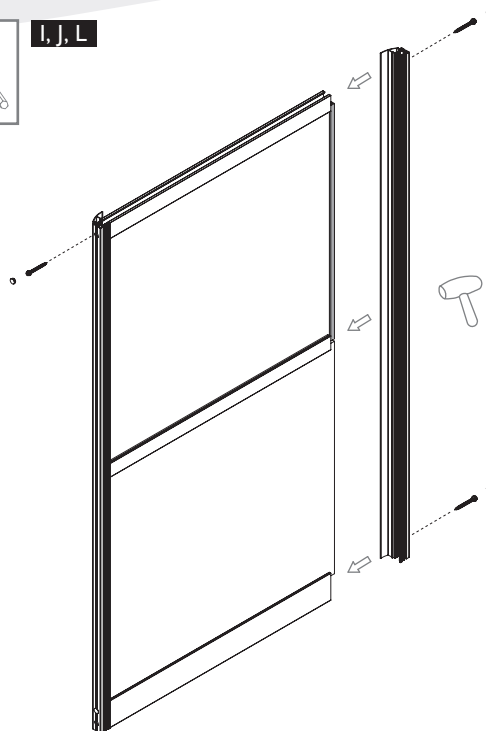
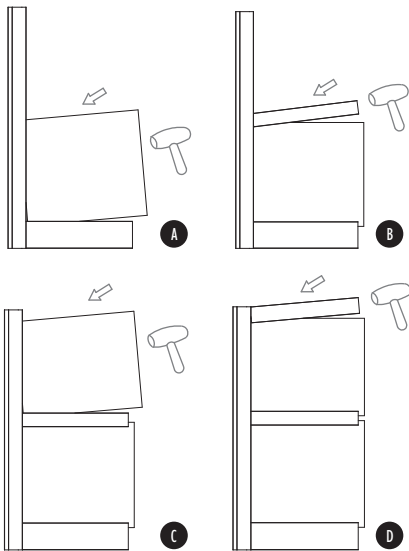


3



I, J, L

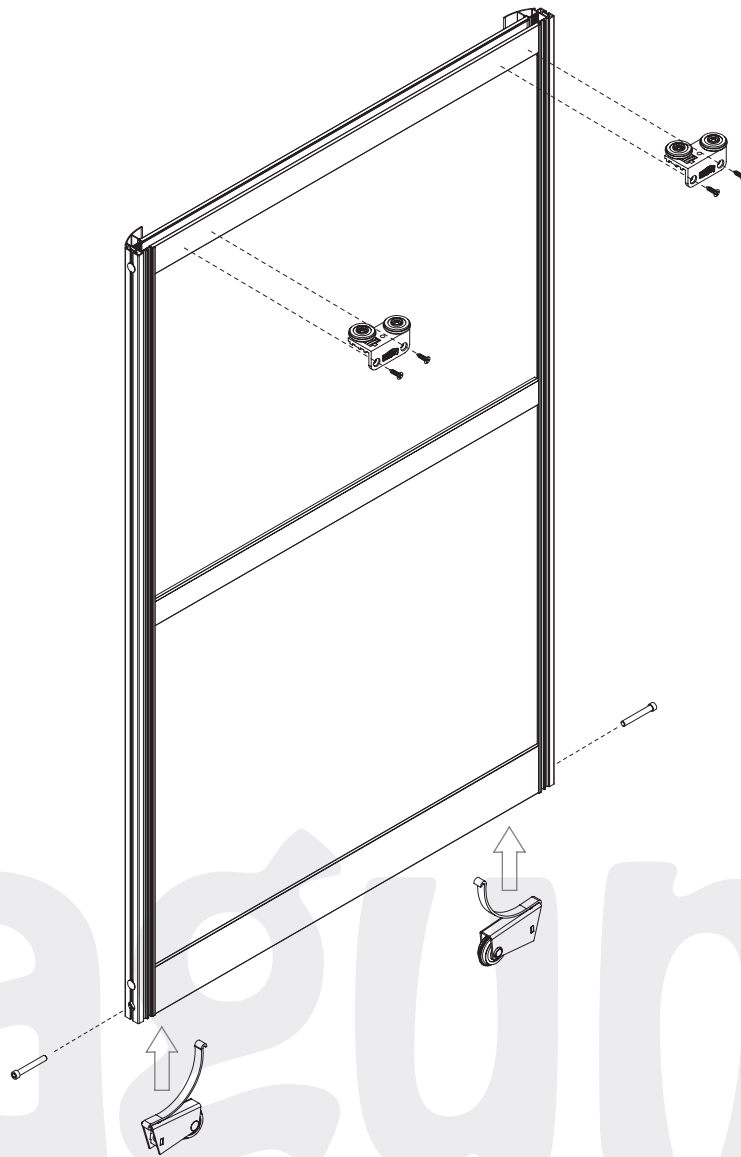
4





C, D, K

5



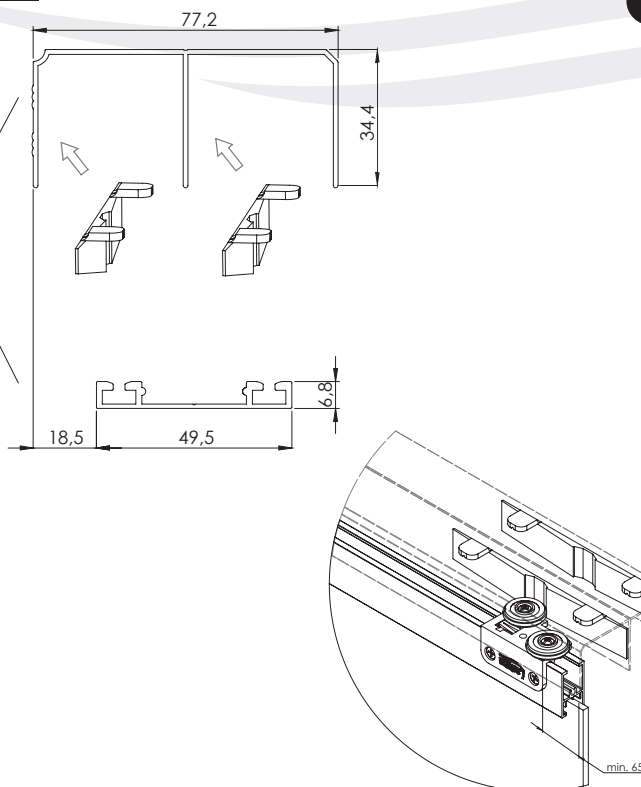
Laguna®



A, B, E, M

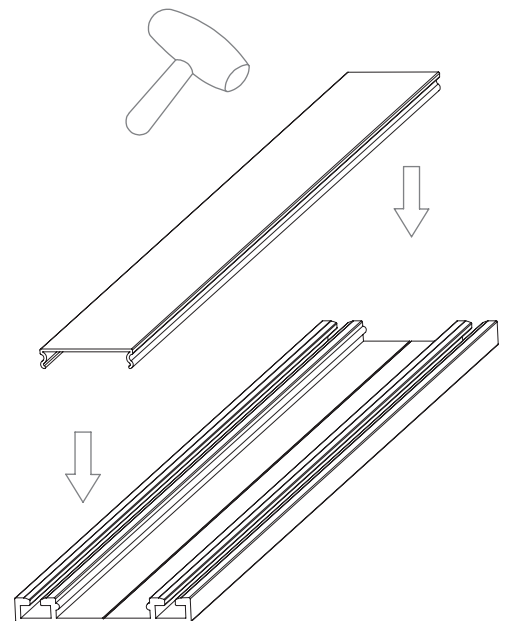
7

Front zabudowy  
Front building

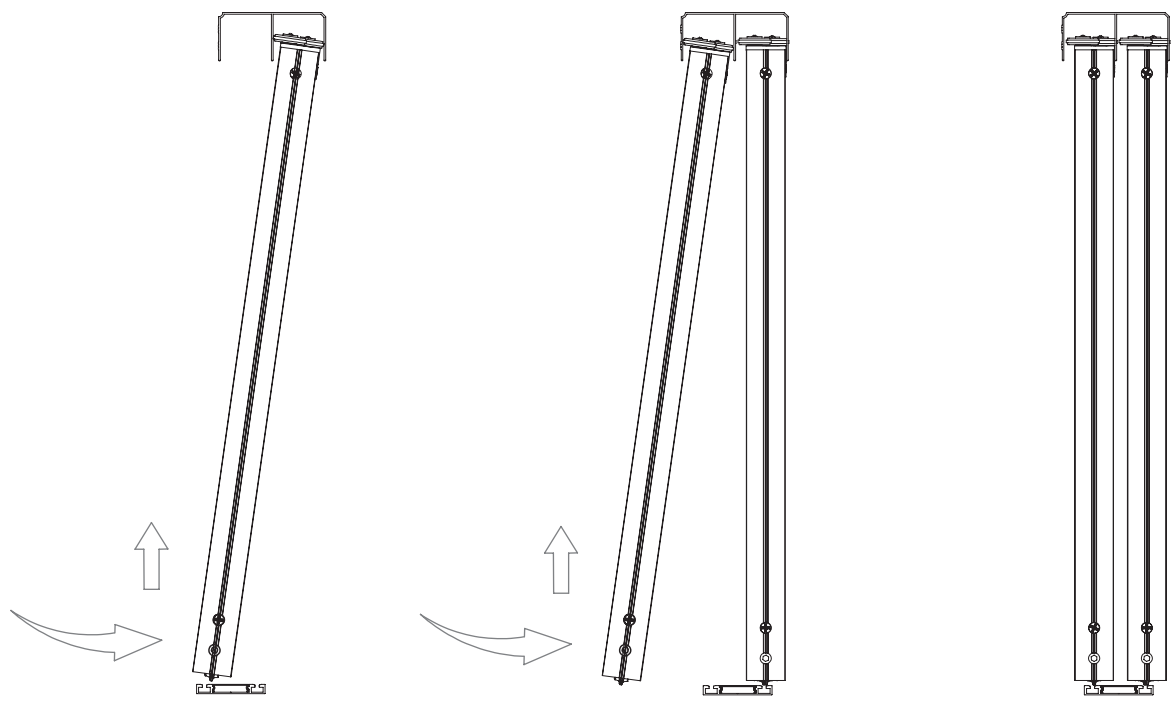


E, M

8



8



9

